



LEFROY BROOKS

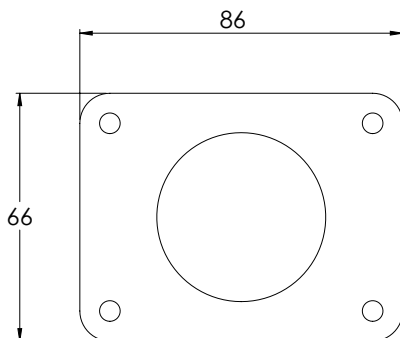
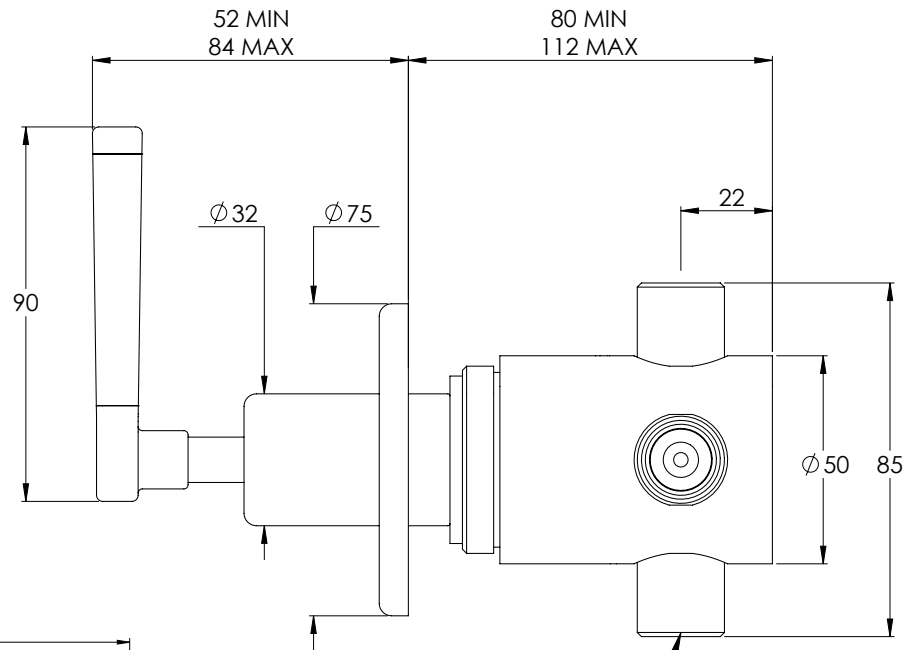
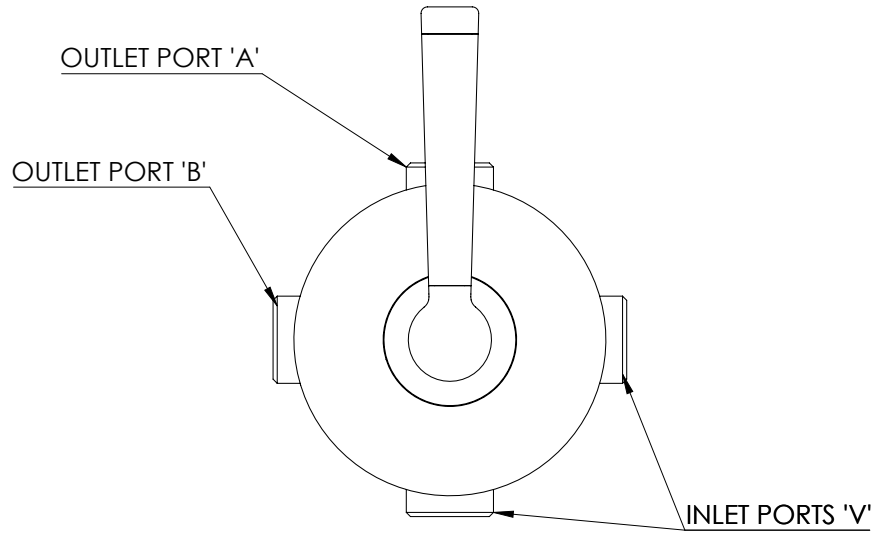
MB1721

MACKINTOSH BLACK WALL MOUNTED TWO-WAY
DIVERTER
(Ø75MM WALL PLATE)

DIMENSIONAL DATA SHEET

DATE: 01/05/24

REVISION: B



WALL MOUNTING PLATE
(OPTIONAL)

4 NO. PORTS G1/2

COPYRIGHT © LBIP LTD. ALL RIGHTS RESERVED

DIMENSIONS IN MILLIMETRES

WHILST EVERY EFFORT IS MADE TO ENSURE THE ACCURACY OF THESE DATA SHEETS THEY ARE SUBJECT TO CHANGE WITHOUT NOTICE AS PART OF THE COMPANY'S PRODUCT DEVELOPMENT PROCESS