



LEFROY BROOKS

MH1107

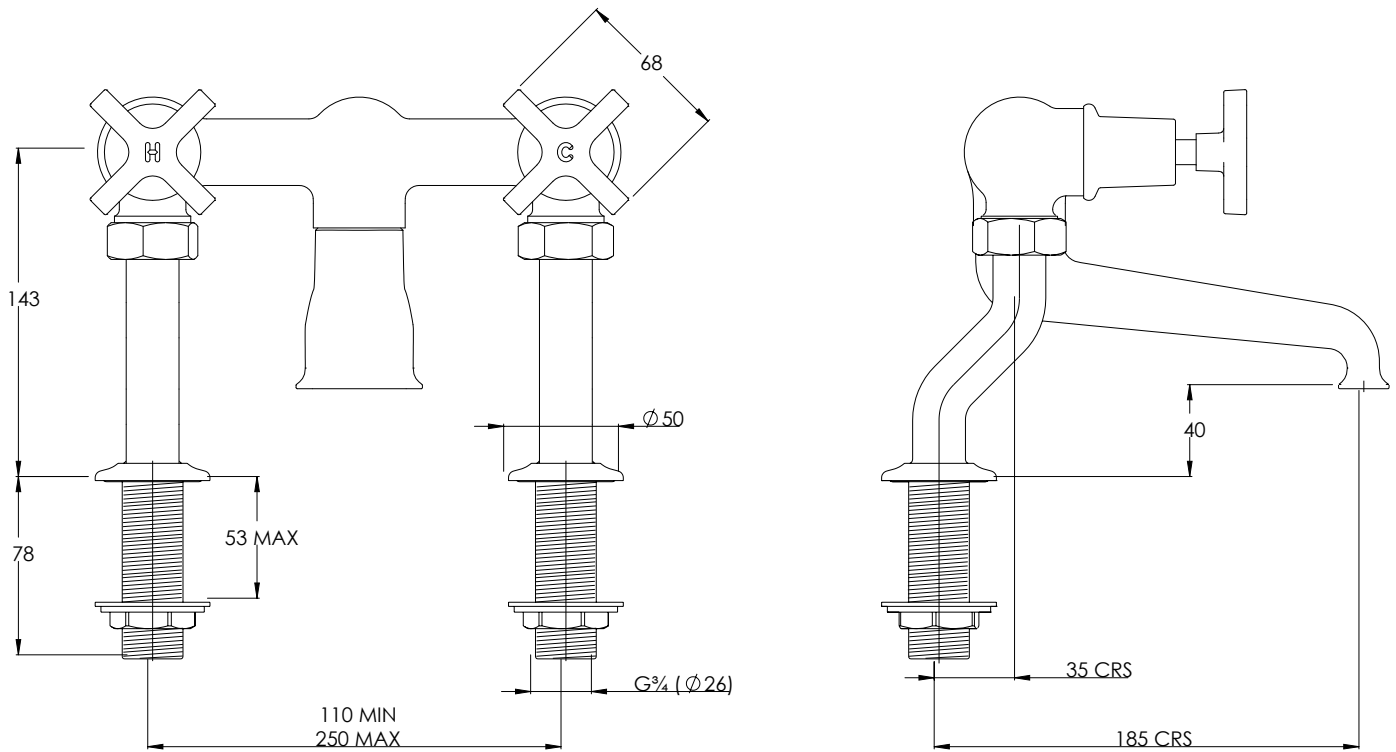
MACKINTOSH DECK MOUNTED BATH FILLER
WITH HANDWHEELS

DIMENSIONAL DATA SHEET

DATE: 30/05/2019

REVISION: B

COPYRIGHT © LBIP LTD. ALL RIGHTS RESERVED



DIMENSIONS IN MILLIMETRES

WHILST EVERY EFFORT IS MADE TO ENSURE THE ACCURACY OF THESE DATA SHEETS THEY ARE SUBJECT TO CHANGE WITHOUT NOTICE AS PART OF THE COMPANY'S PRODUCT DEVELOPMENT PROCESS