



MH1260

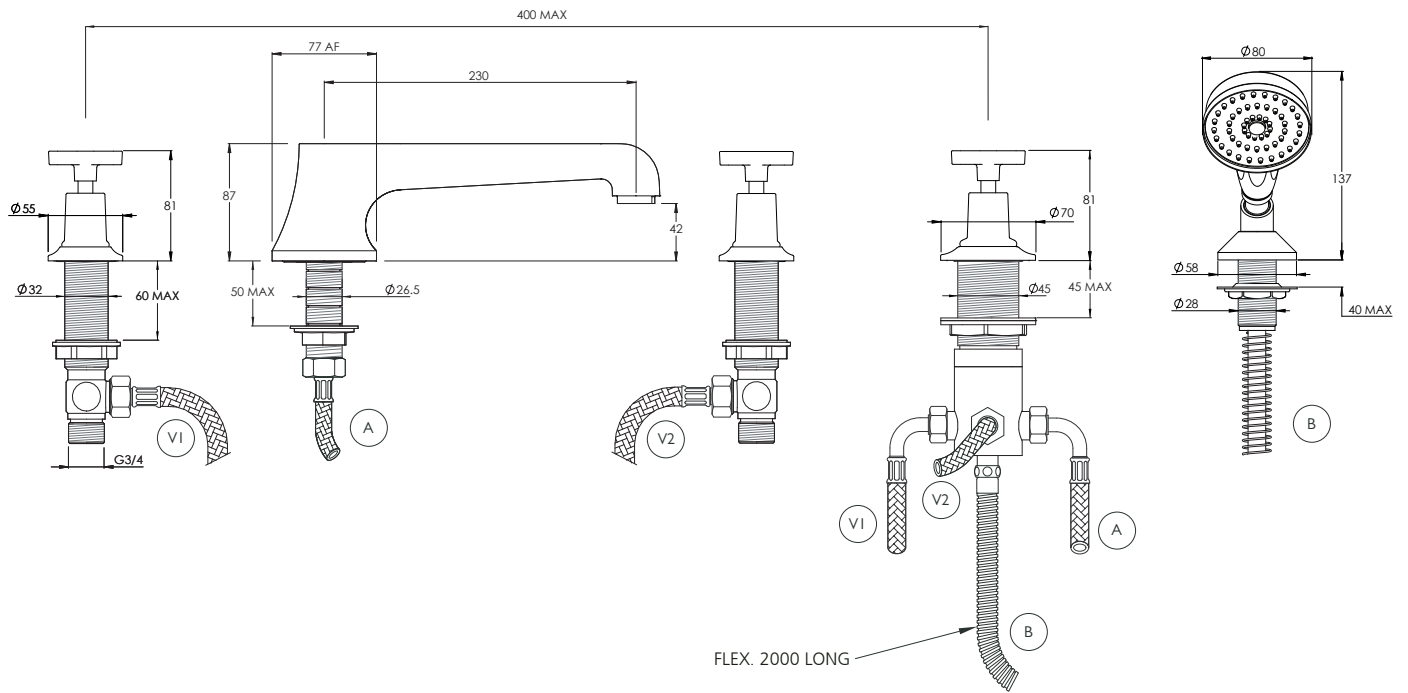
MACKINTOSH FIVE HOLE BATH SET WITH DIVERTER
& PULL OUT EASY CLEAN HAND SHOWER

DIMENSIONAL DATA SHEET

DATE: 18/04/2024

REVISION: D

COPYRIGHT © LBIP LTD. ALL RIGHTS RESERVED



DIMENSIONS IN MILLIMETRES