



LEFROY BROOKS

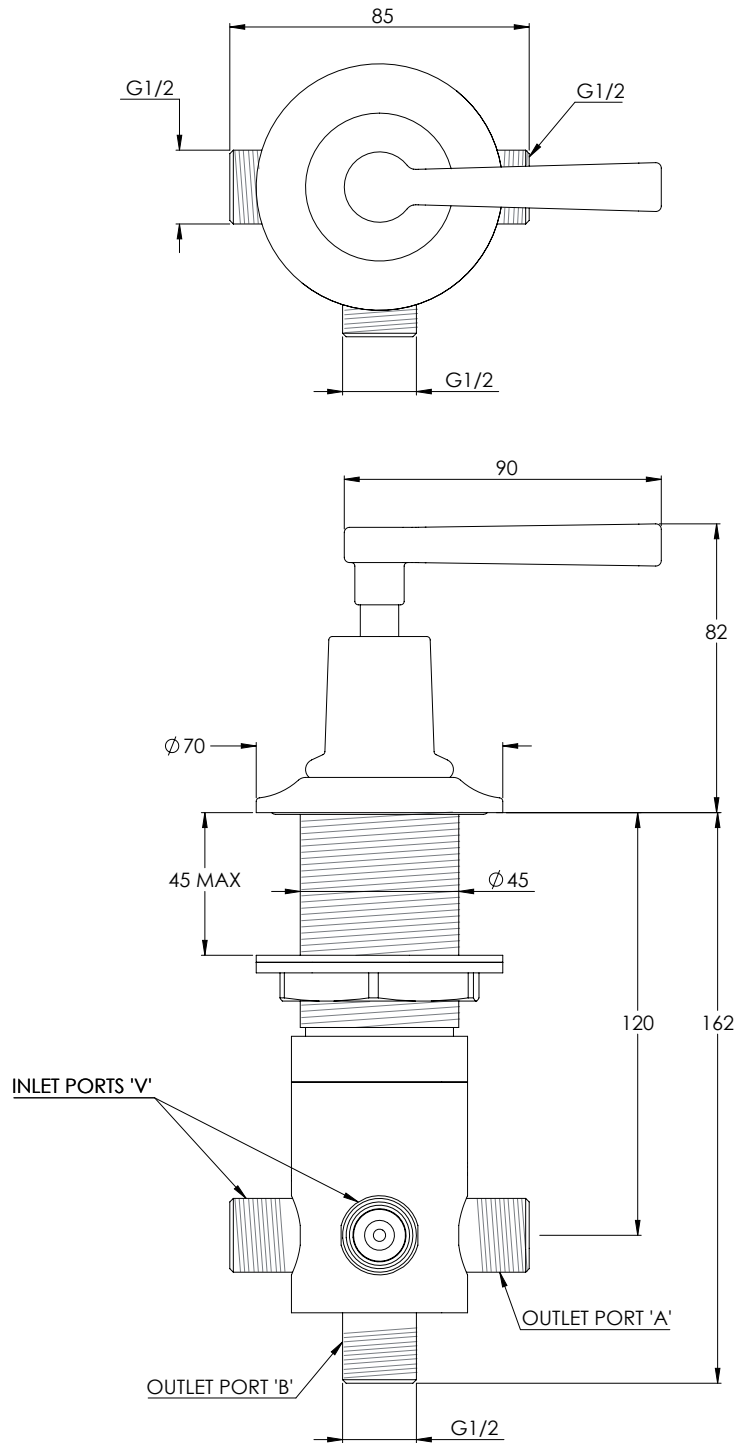
ML1650

MACKINTOSH LEVER DECK MOUNTED 'TWO-WAY' DIVERTER

DIMENSIONAL DATA SHEET

DATE: 06/08/2021

REVISION: A



COPYRIGHT © LBIP LTD. ALL RIGHTS RESERVED

DIMENSIONS IN MILLIMETRES

WHILST EVERY EFFORT IS MADE TO ENSURE THE ACCURACY OF THESE DATA SHEETS THEY ARE SUBJECT TO CHANGE WITHOUT NOTICE AS PART OF THE COMPANY'S PRODUCT DEVELOPMENT PROCESS