

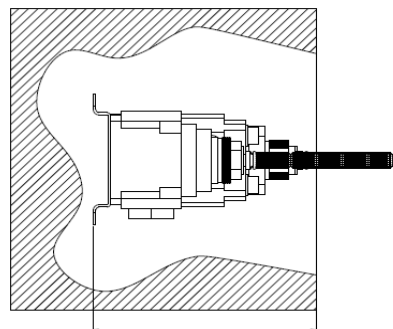


flow

concealed thermo shower valve

The sleek design of our Flow range offers a modern industrial style, manufactured from stainless steel and brushed for a contemporary finish. Single outlet valve for supply to overhead shower or handshower kit.

Material stainless steel / solid brass internals
Finish brushed stainless steel
Min. pressure 1 bar



MIN. 94MM/MÁX. 113MM

TECHNICAL DATA

1. Fixing Plate
2. Thermostatic Valve
3. Shut Off Valve
4. Connecting Joint
5. Fixing Screws
6. Check Valves
7. Connecting Joint O Ring
8. Rubber O Ring
9. ½" Brass Cap

