

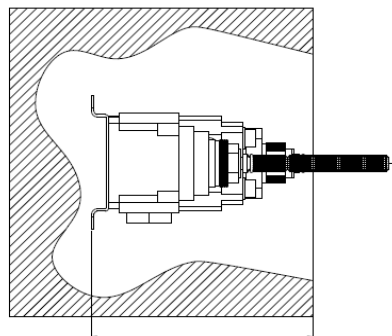


flow

dual outlet concealed thermo shower valve

The sleek design of our Flow range offers a modern industrial style, manufactured from stainless steel and brushed for a contemporary finish. Dual outlet valve for independent supply to both overhead shower and handshower or slide rail kit.

Material stainless steel/ solid brass internals
Finish brushed stainless steel
Min. pressure 1bar



MIN. 94MM/MÁX. 113MM

TECHNICAL DATA

1. Fixing Plate
2. Thermostatic Valve
3. Shut Off Valve
4. Shut Off Valve
5. Connecting Joint
6. Fixings Screws
7. Check Valves
8. 1/2" Brass Cap
9. Rubber O Ring
10. Connecting Joint O Ring

