

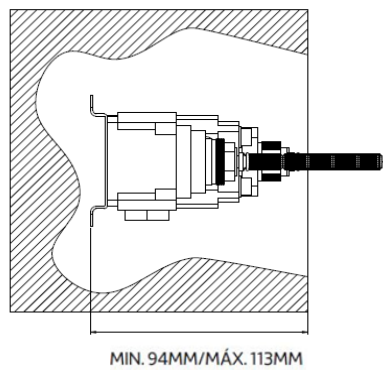


flow

triple outlet concealed thermo shower valve

The sleek design of our Flow range offers a modern industrial style, manufactured from stainless steel and brushed for a contemporary finish. Triple outlet valve for supply to overhead shower, handshower and bath filler.

Material stainless steel / solid brass internals
Finish brushed stainless steel
Min. pressure 1 bar



MIN. 94MM/MÁX. 113MM

TECHNICAL DATA

1. Fixing Plate
2. Thermostatic Valve
3. Shut Off Valve
4. 2 Exit Diverter Valve
5. Connecting Joint
6. Fixings Screws
7. Check Valves
8. 1/2" Brass Cap
9. Rubber O Ring
10. Connecting Joint O Ring

