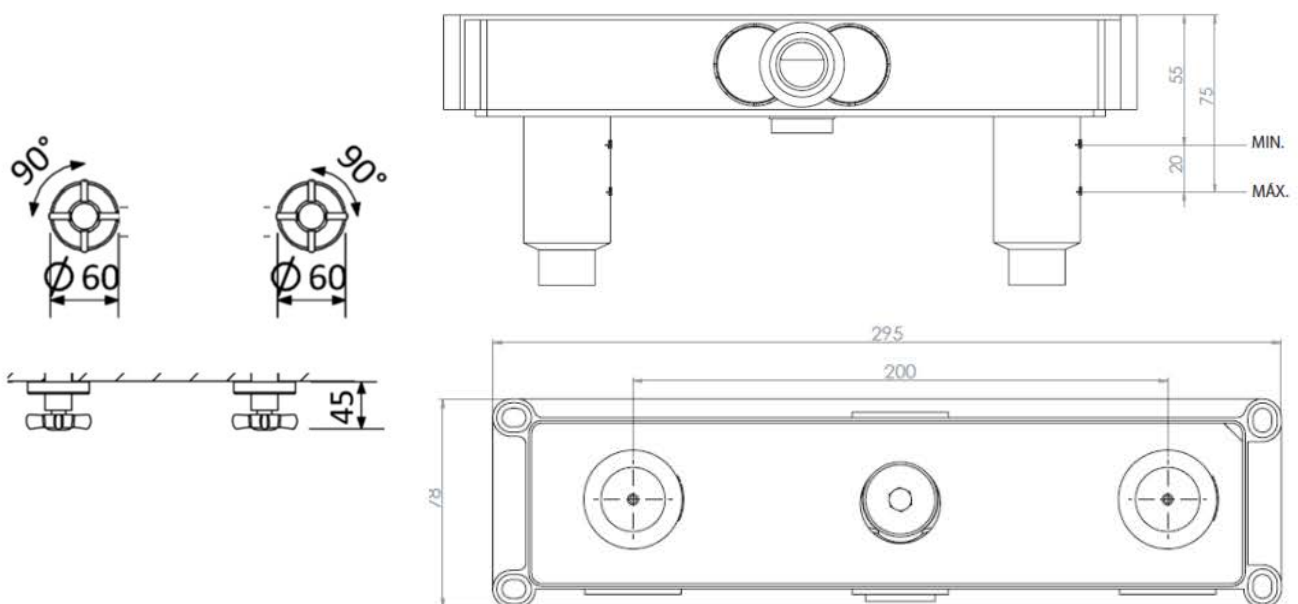


# london 1916

head hot & cold wall valves inc Easybox  
installation

The London collection draws inspiration from the Edwardian era, blending the grandeur of Victorian design with the simplicity of Art Deco. The ceramic indices and levers feature a subtle cream crackle glaze, hand-finished in Staffordshire—a region known for skilled ceramics craftsmen. Combining traditional materials like brass and ceramic with modern innovations, the collection features the EasyBox system for hassle-free installation. Crafted in lead free brass, it reflects a commitment to efficiency, design, and sustainable production.

Material	solid brass
Finish	chrome, nickel
Min. pressure	0.2 bar



**Tap Shop** For more information please visit [www.tapshop.co.uk](http://www.tapshop.co.uk)  
Specifications / dimensions subject to manufacturing tolerances